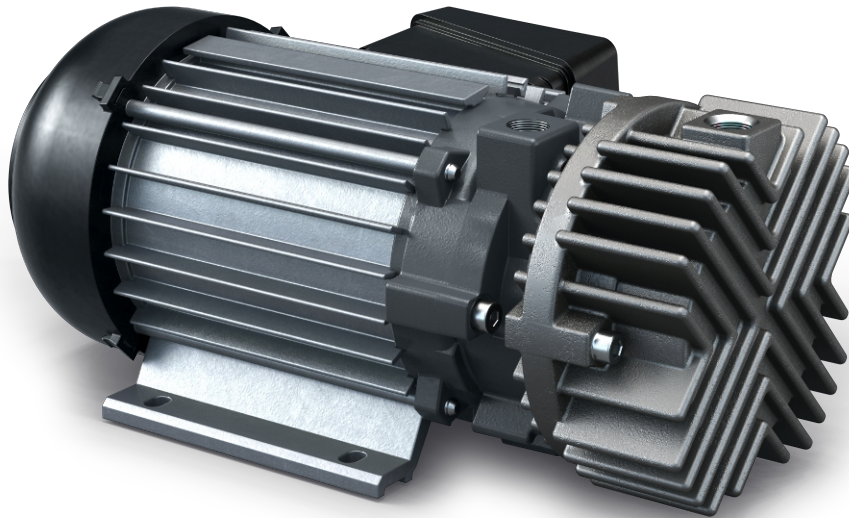


# SECO SV 1003/1005 D

Dry-running rotary vane vacuum pumps



VACUUM SOLUTIONS



## Compact

Direct-drive construction

## Reliable

Robust construction, proven performance, self-lubricating vanes, no operating fluids

## High performance

High uptime, high performance vanes

### Accessories

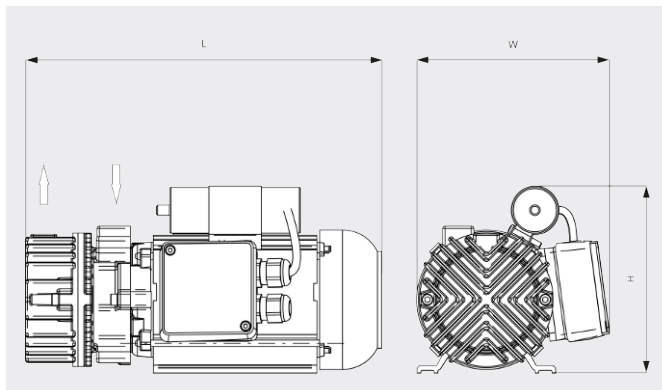
- Inlet filter
- Vacuum regulating unit
- Non-return valve (inlet)
- Hose nipple

# SECO SV 1003/1005 D

Dry-running rotary vane vacuum pumps



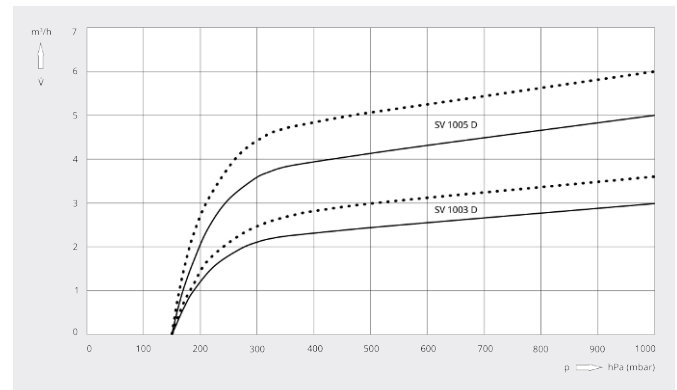
Dimensional drawing



Pumping speed

Air at 20°C. Tolerance: ± 10%

— 50 Hz ..... 60 Hz



	SECO SV 1003 D	SECO SV 1005 D
<b>Nominal pumping speed</b>	3.0 / 3.6 m <sup>3</sup> /h (50 / 60 Hz)	5.0 / 6.0 m <sup>3</sup> /h (50 / 60 Hz)
<b>Ultimate pressure</b>	150 hPa (mbar) (50 / 60 Hz)	150 hPa (mbar) (50 / 60 Hz)
<b>Nominal motor rating</b>	0.1 / 0.12 kW (50 / 60 Hz)	0.14 / 0.16 kW (50 / 60 Hz)
<b>Nominal motor speed</b>	3000 / 3600 min <sup>-1</sup> (50 / 60 Hz)	3000 / 3600 min <sup>-1</sup> (50 / 60 Hz)
<b>Noise level (ISO 2151)</b>	59 / 63 dB(A) (50 / 60 Hz)	68 / 72 dB(A) (50 / 60 Hz)
<b>Operating temperature</b>	41 / 42 °C (50 / 60 Hz)	56 / 57 °C (50 / 60 Hz)
<b>Weight approx.</b>	5.2 kg	6.0 kg
<b>Dimensions (L x W x H)</b>	239 x 144 x 142 mm	272 x 147 x 143 mm
<b>Gas inlet / outlet</b>	G ¼" / G ¼"	G ¼" / G ¼"

DO YOU WANT TO KNOW MORE?

Get in touch with us directly!  
[sales@busch.co.za](mailto:sales@busch.co.za) or +27 (0)11 856 0650



CONTACT FORM



CALL NOW